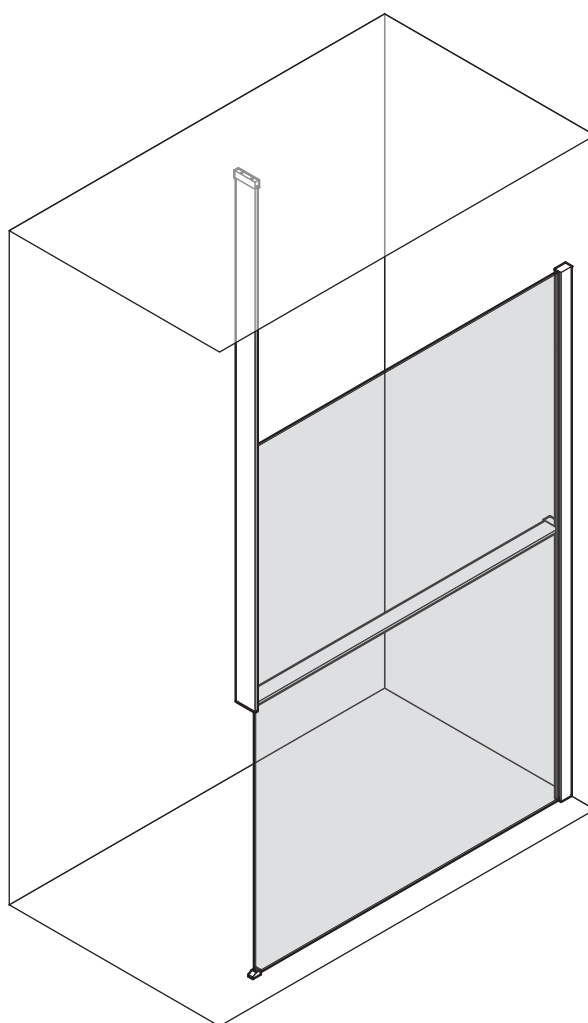
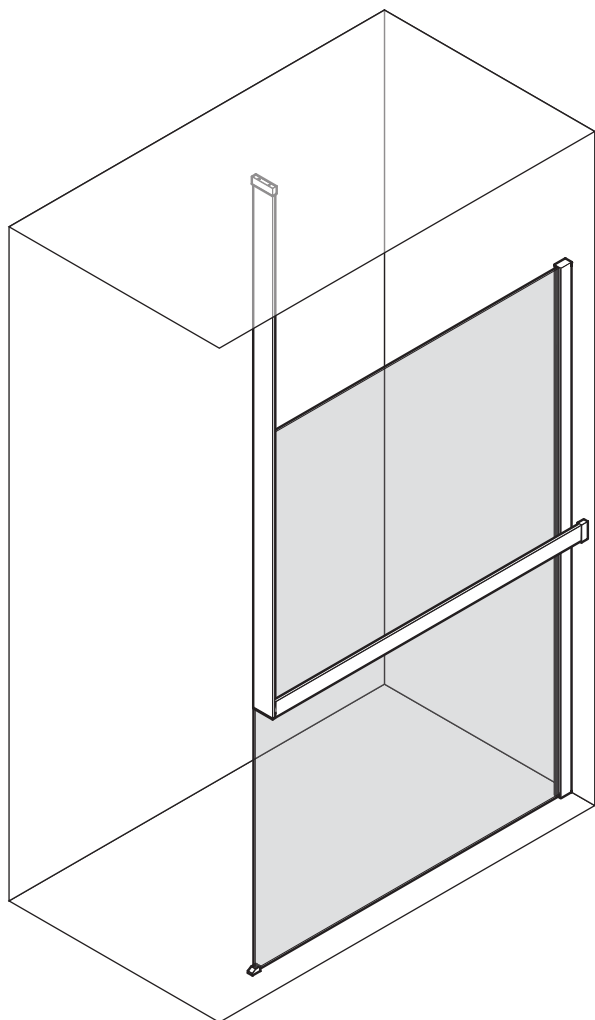


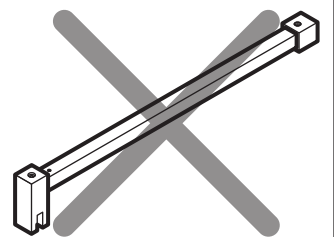
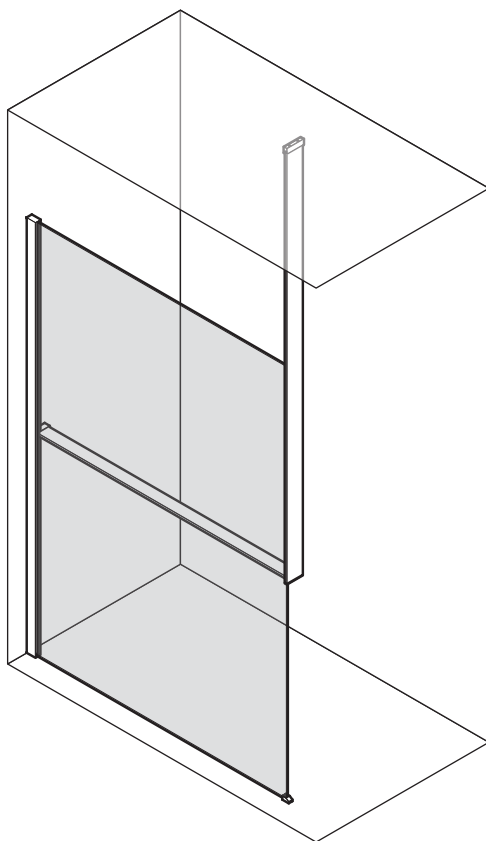
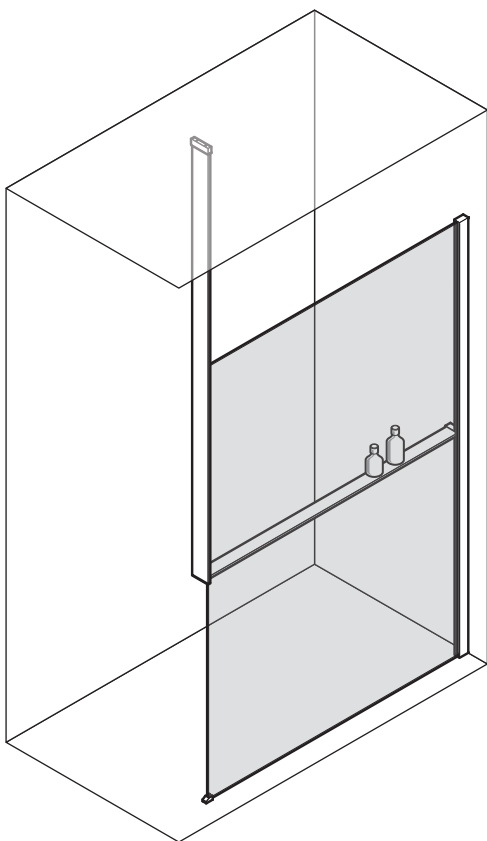
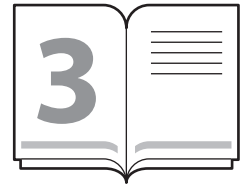
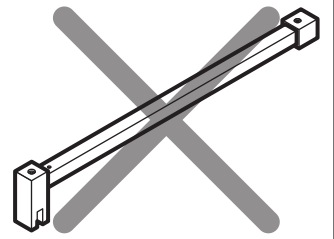
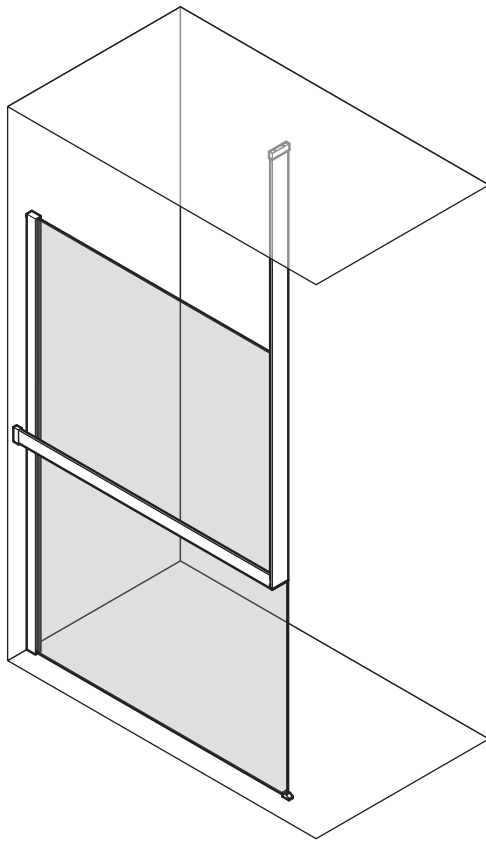
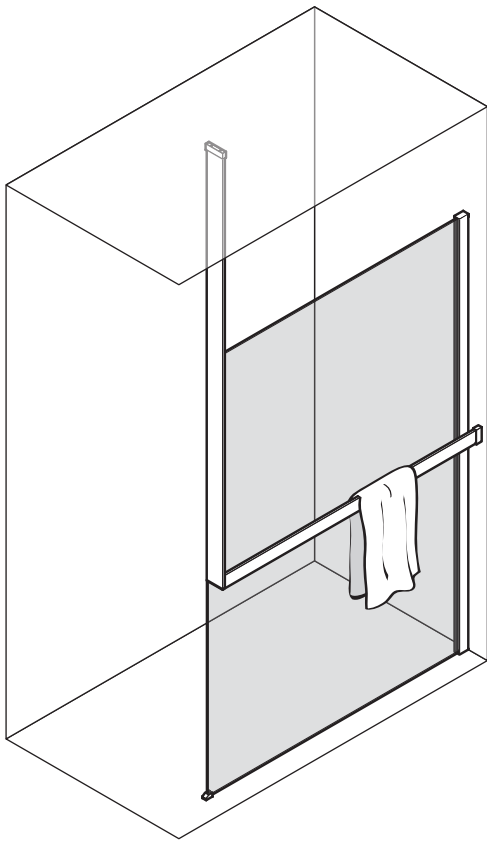
KIT FRAME

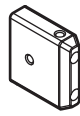
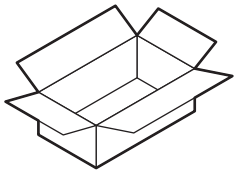
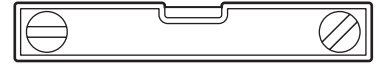
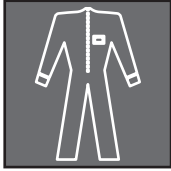
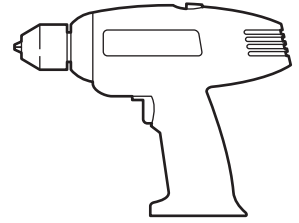
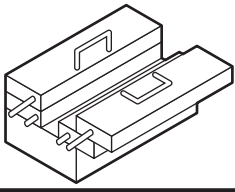


NOVELLINI

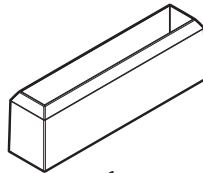


<hr/> <hr/> <hr/> <hr/>	<hr/> <hr/> <hr/> <hr/>
-------------------------	-------------------------

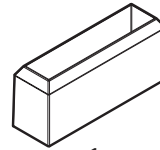




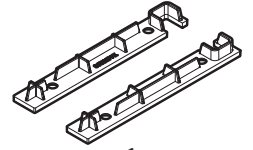
x1



x1



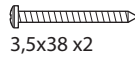
x1



x1



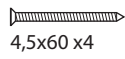
FU8x50 x4



3,5x38 x2



3,5x9,5 x2



4,5x60 x4



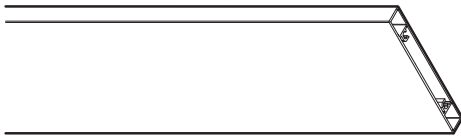
M4x16 x2



5,3x9,5x1 x4

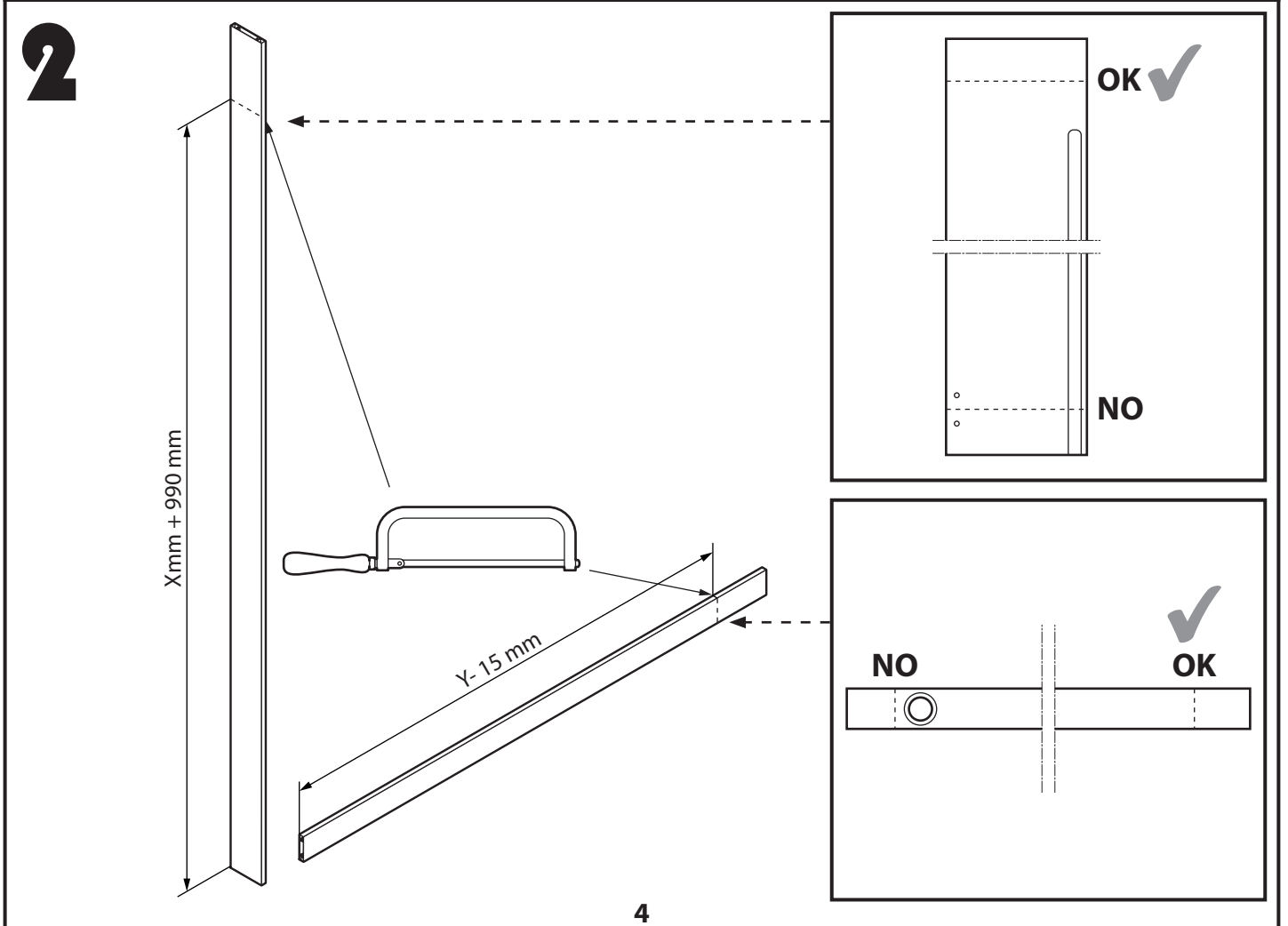
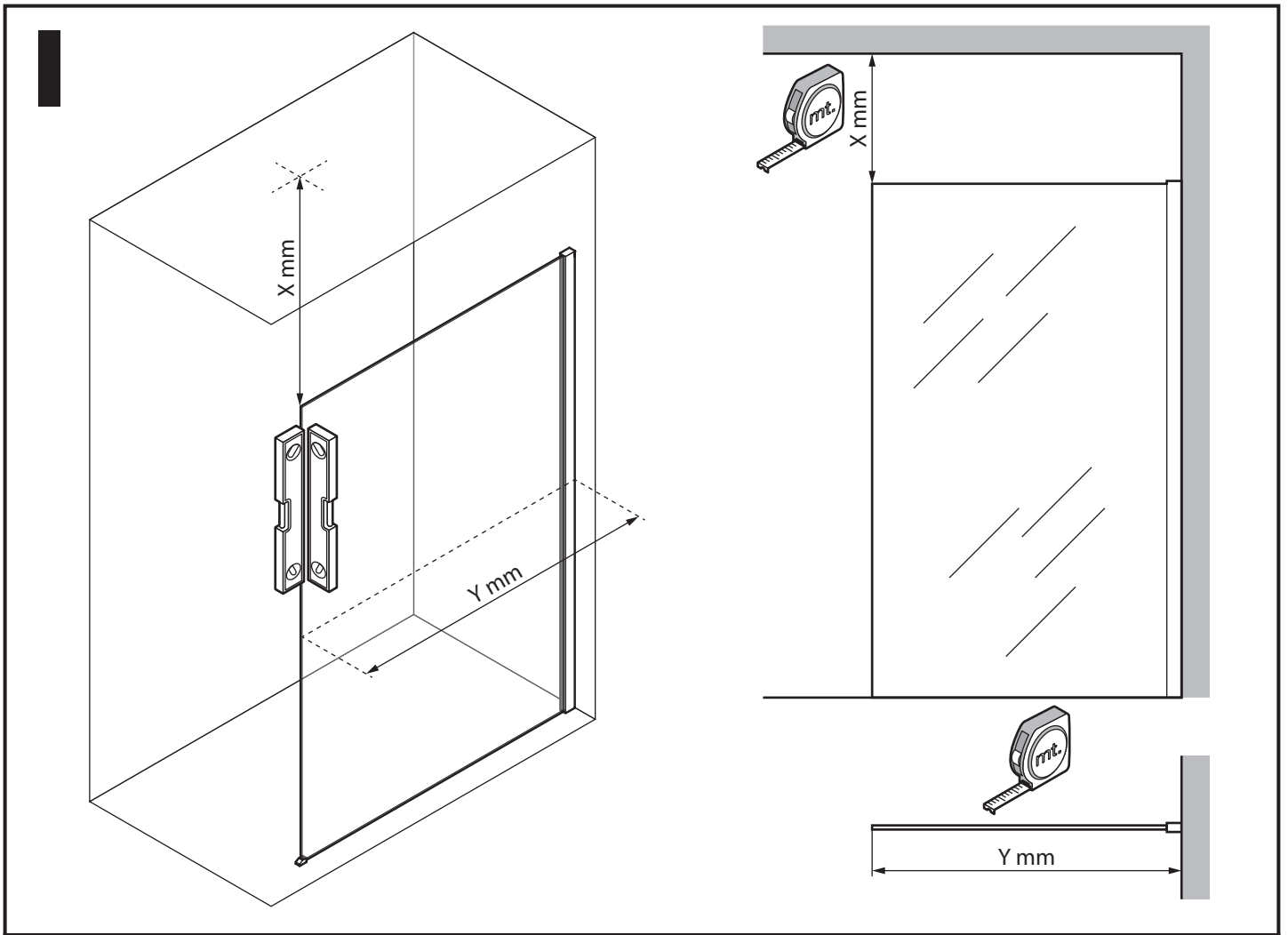


M4x18 x1

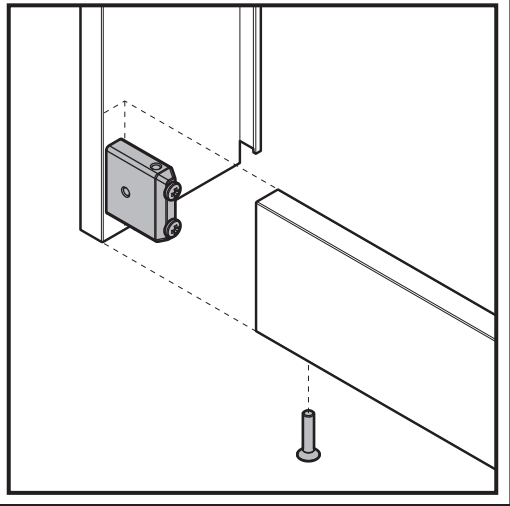
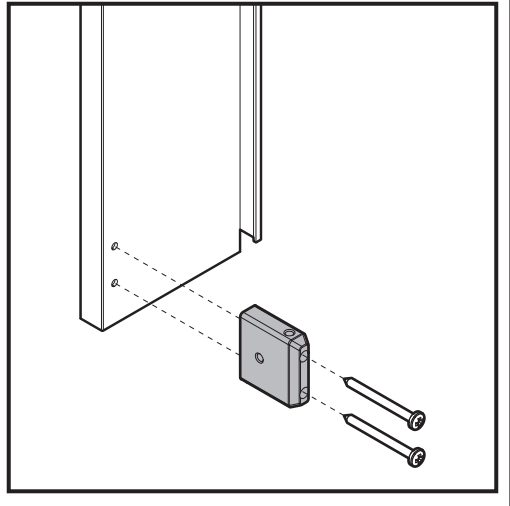
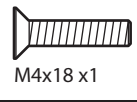
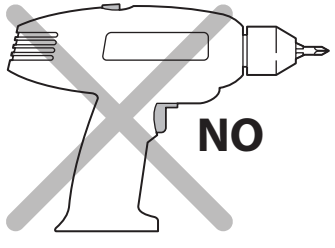
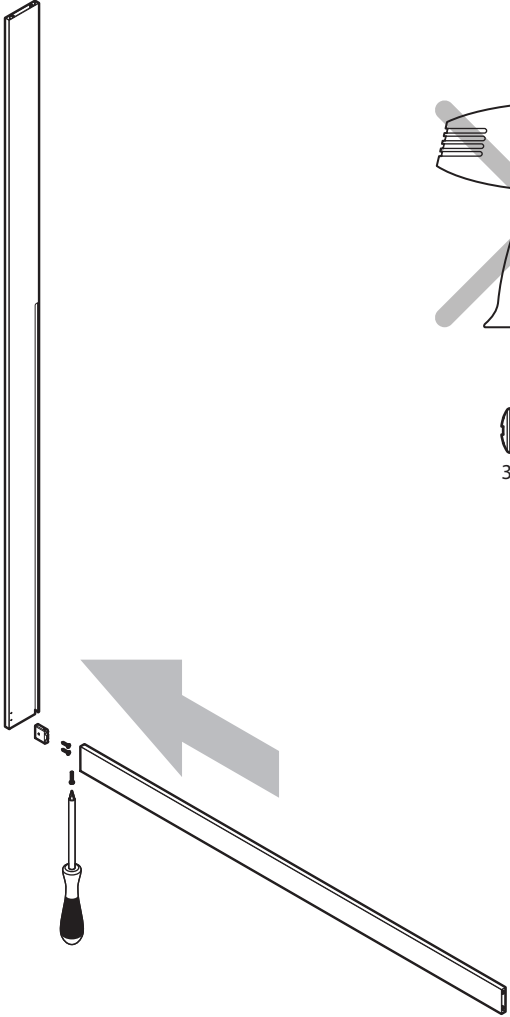


x1

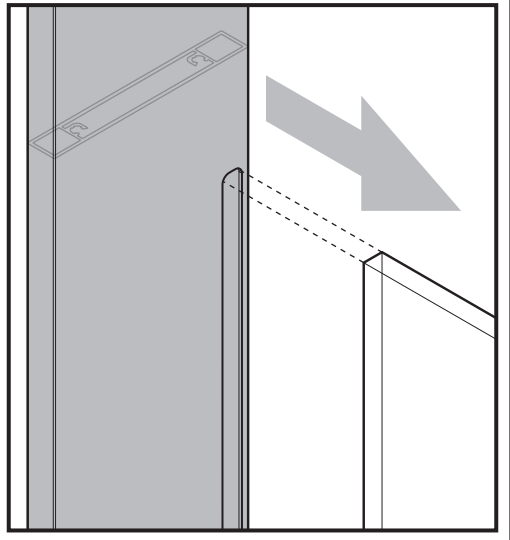
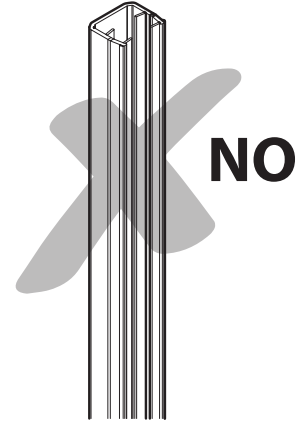
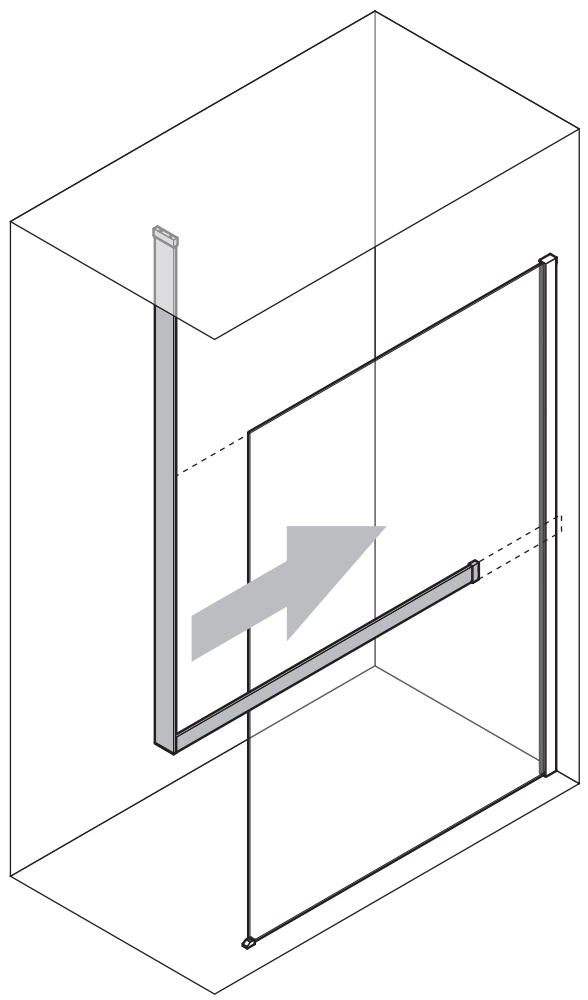




3

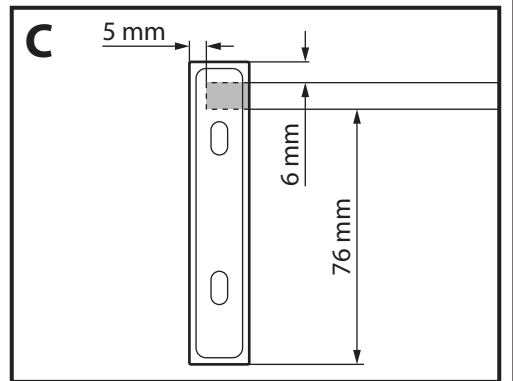
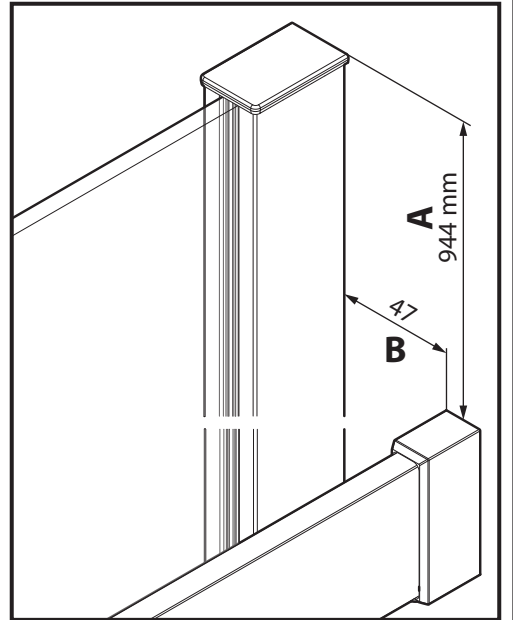
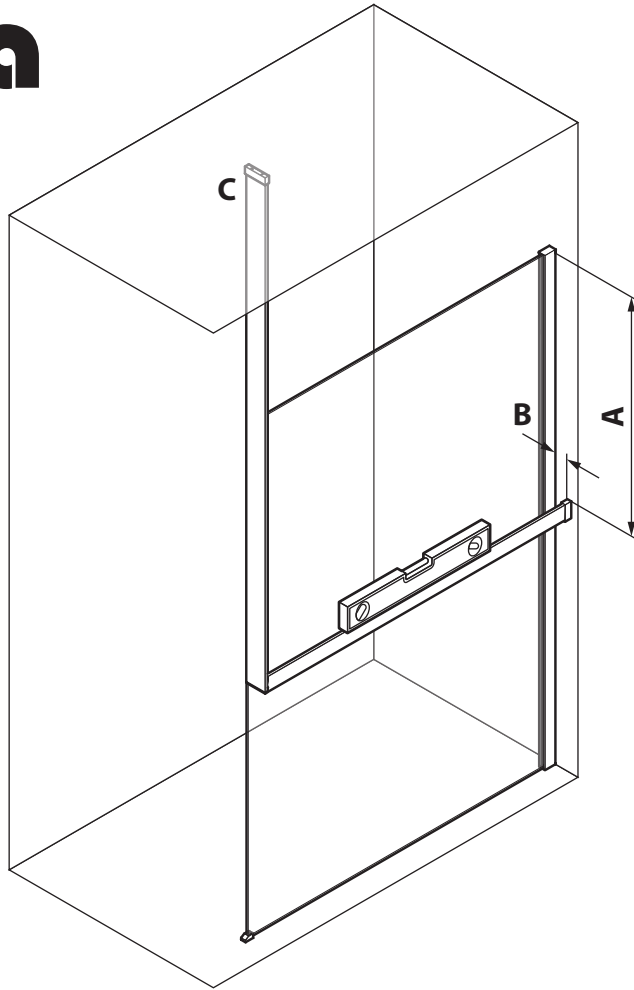


4

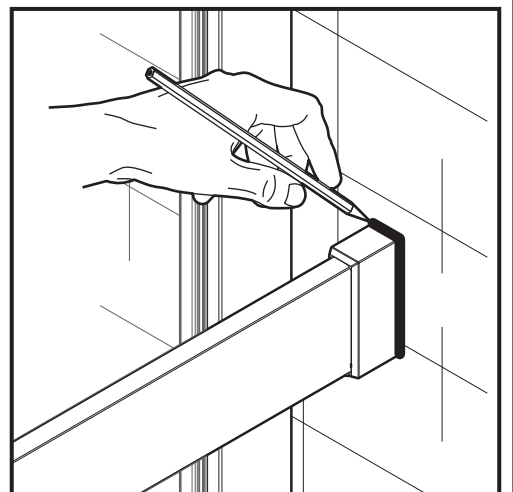
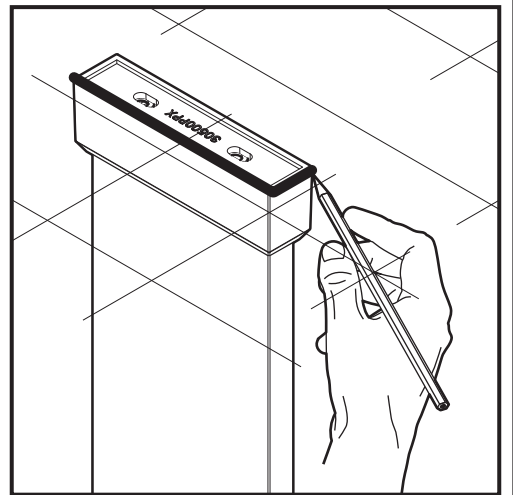
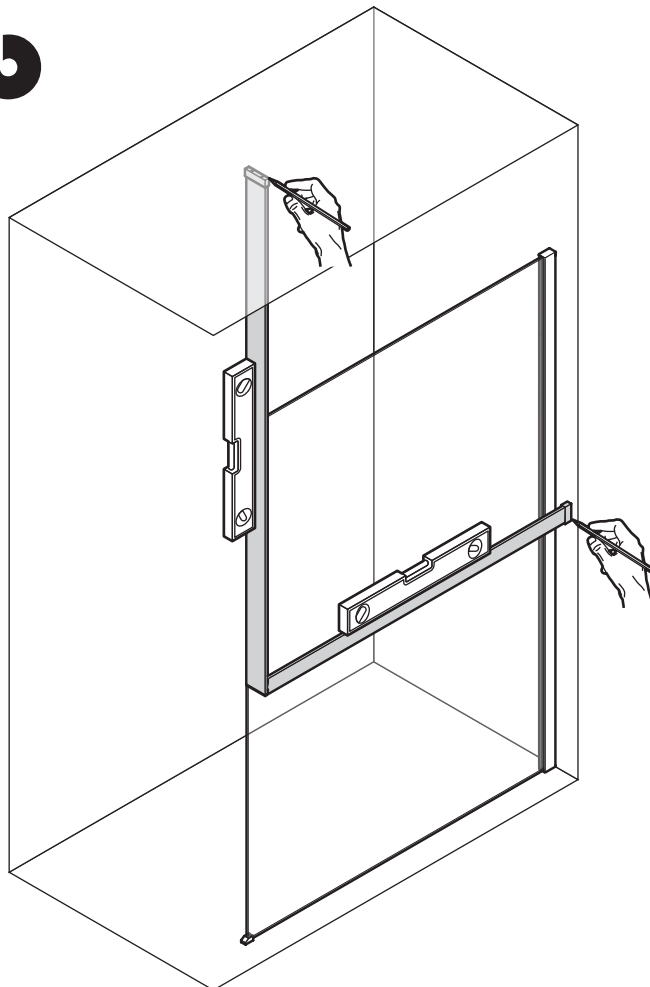


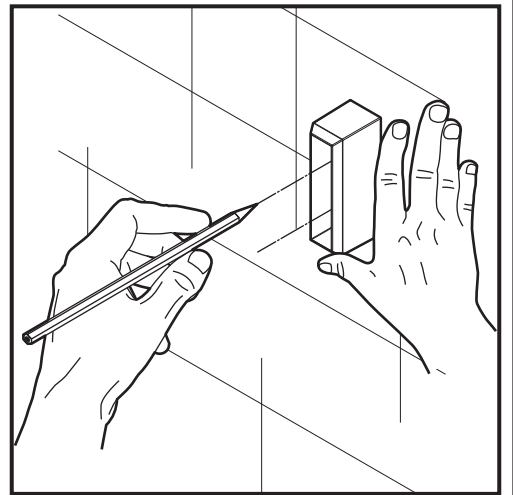
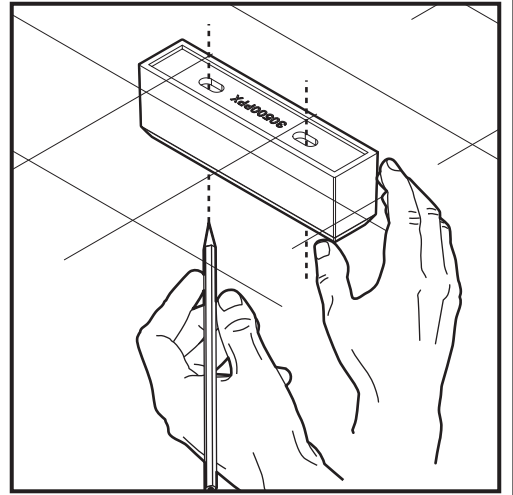
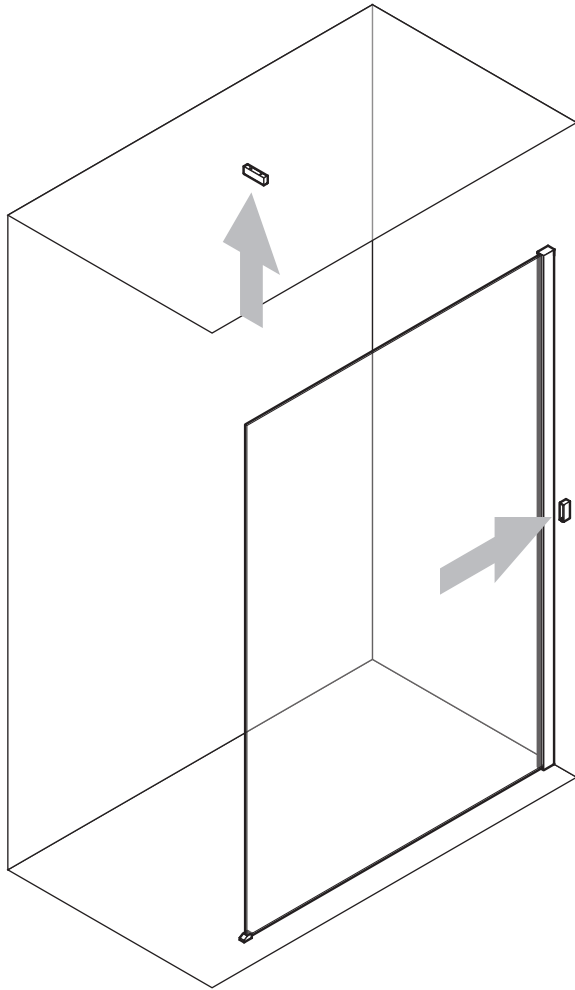
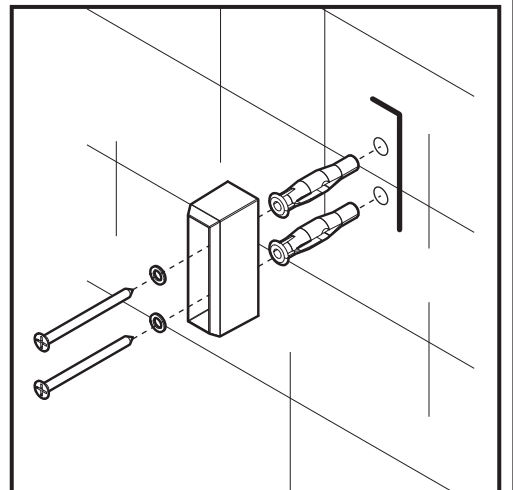
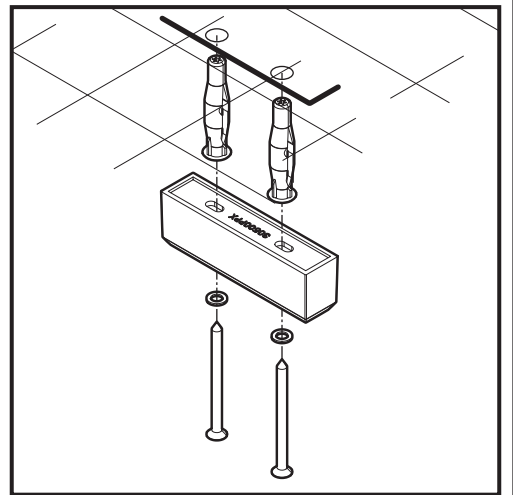
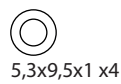
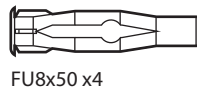
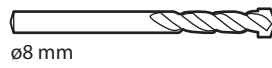
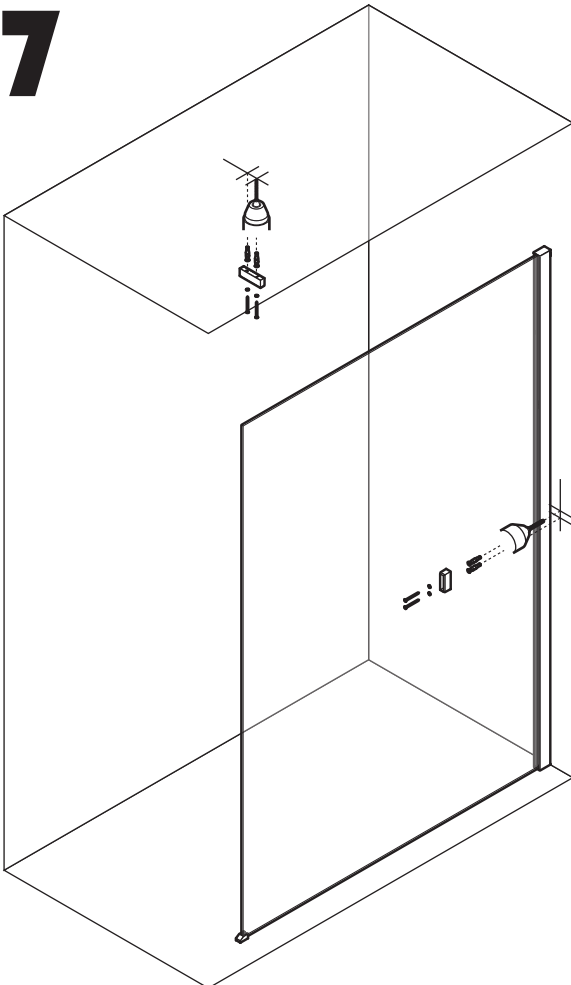
5

5a

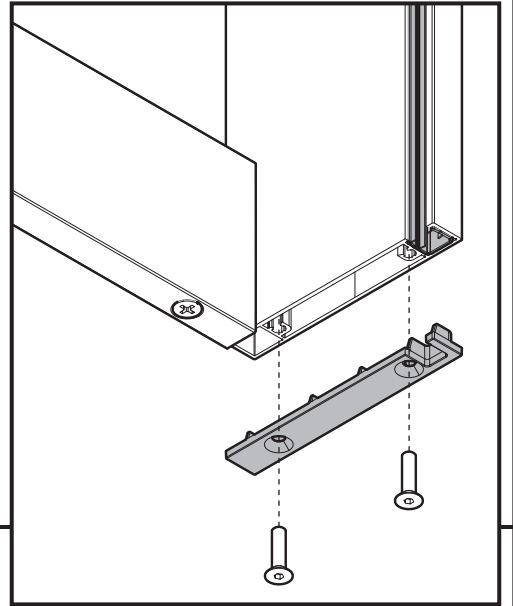
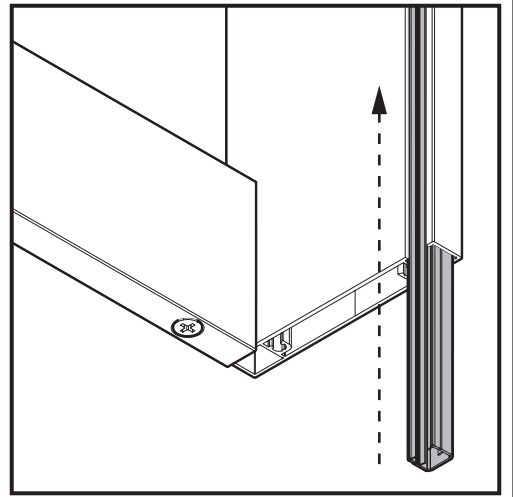
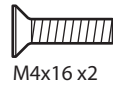
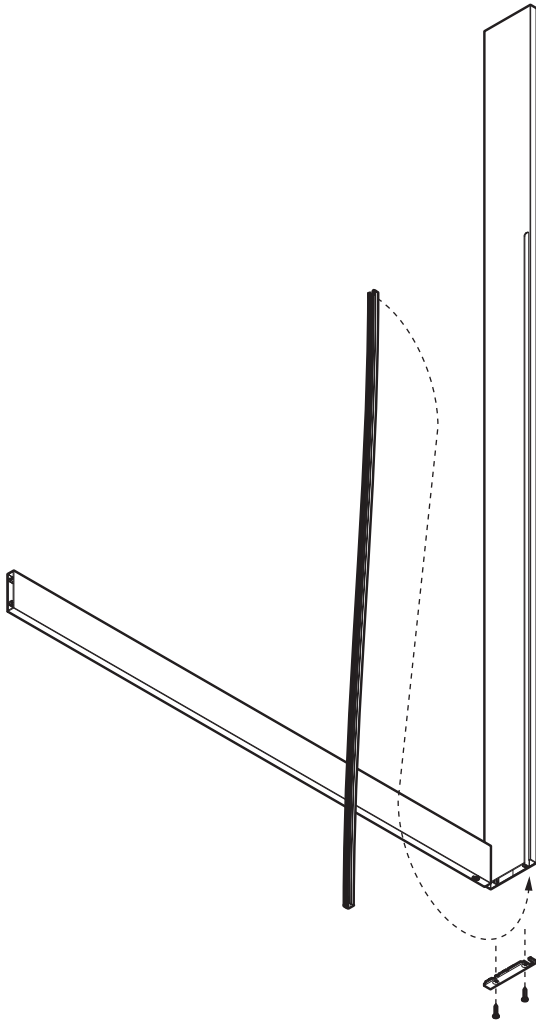


5b

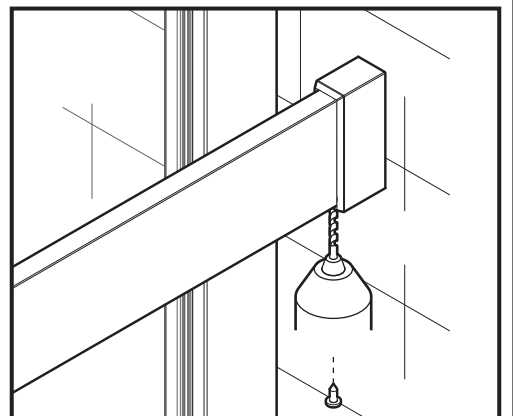
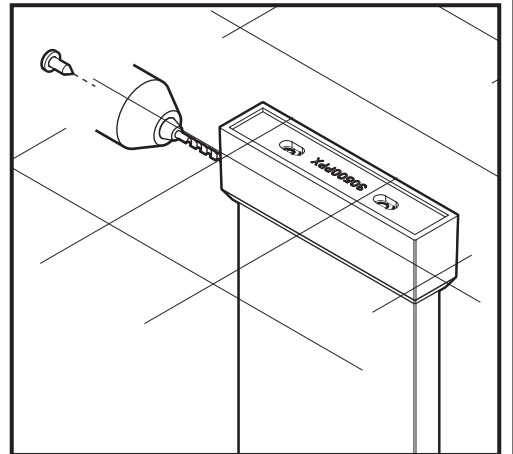
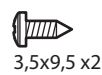
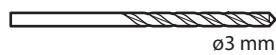
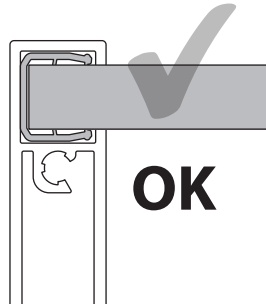
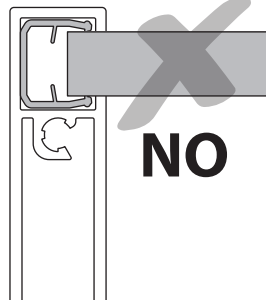
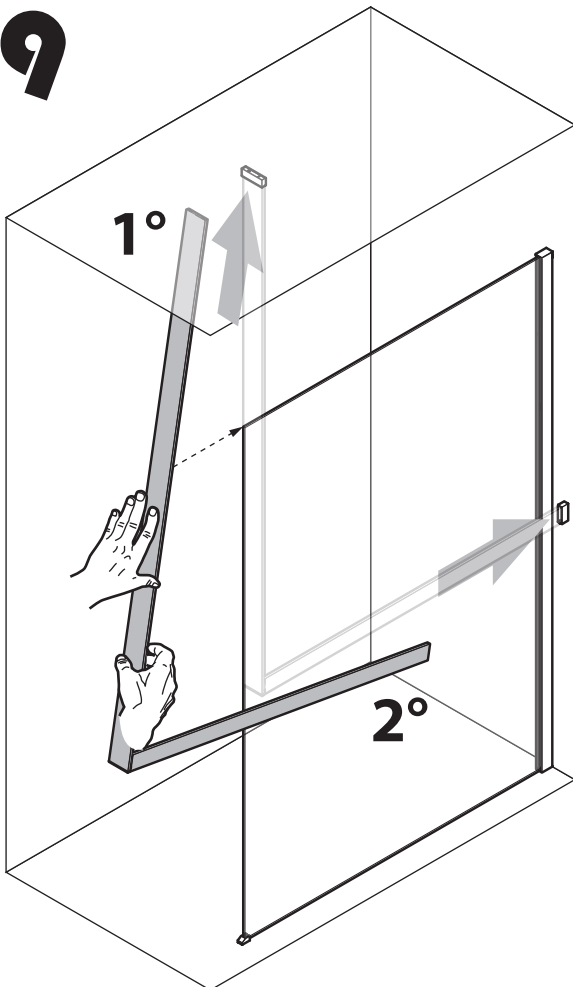


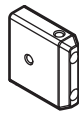
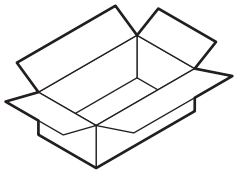
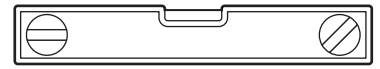
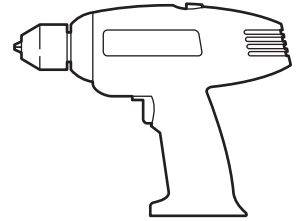
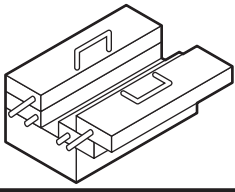
6**7**

8

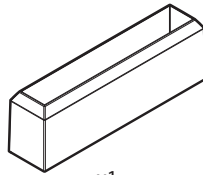


9

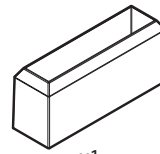




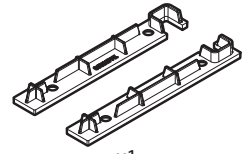
x1



x1



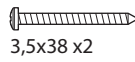
x1



x1



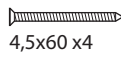
FU8x50 x4



3,5x38 x2



3,5x9,5 x2



4,5x60 x4



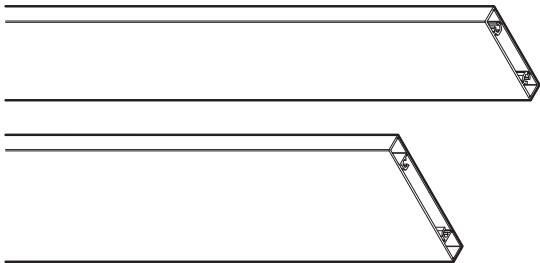
M4x16 x2



5,3x9,5x1 x4

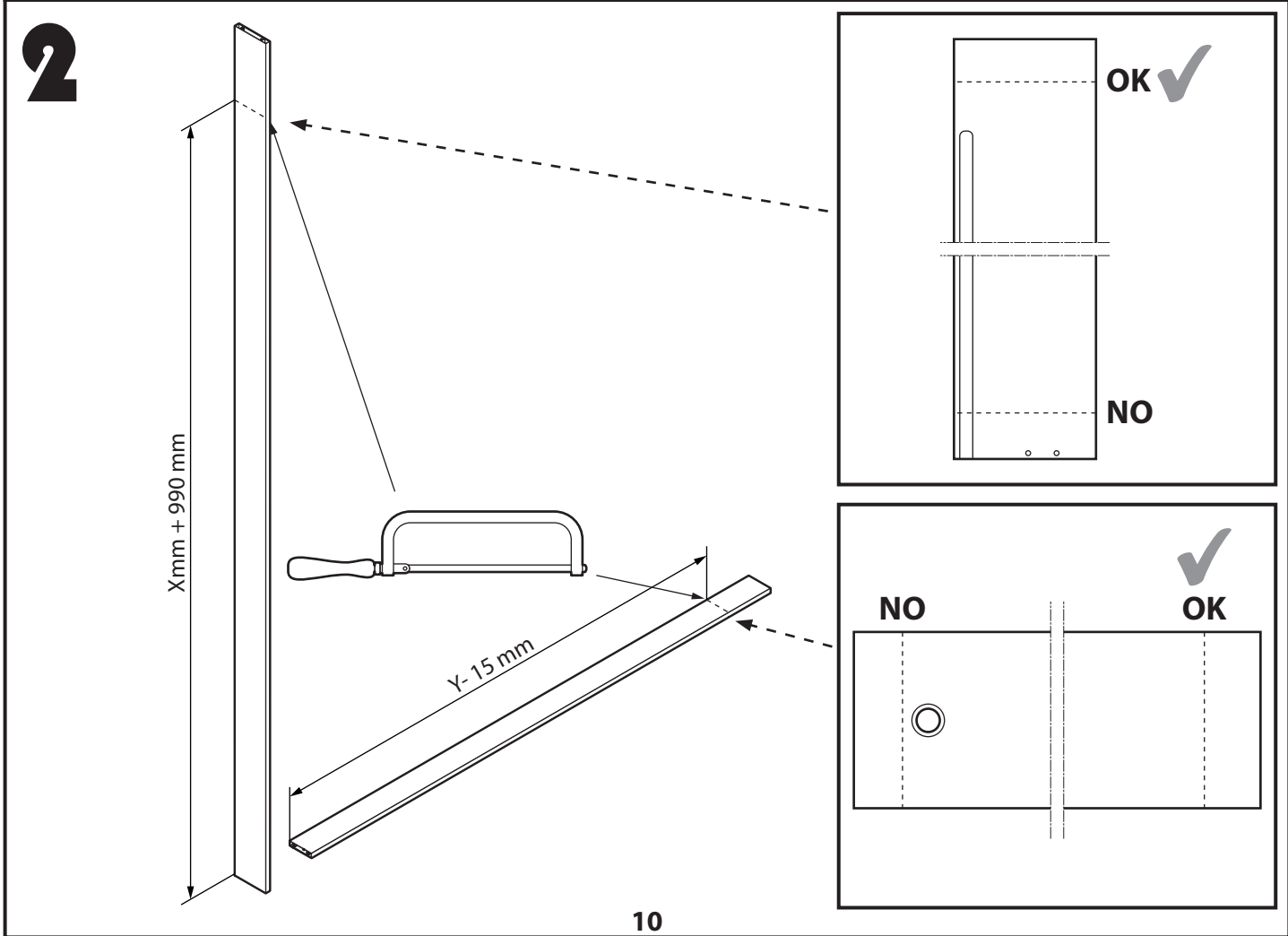
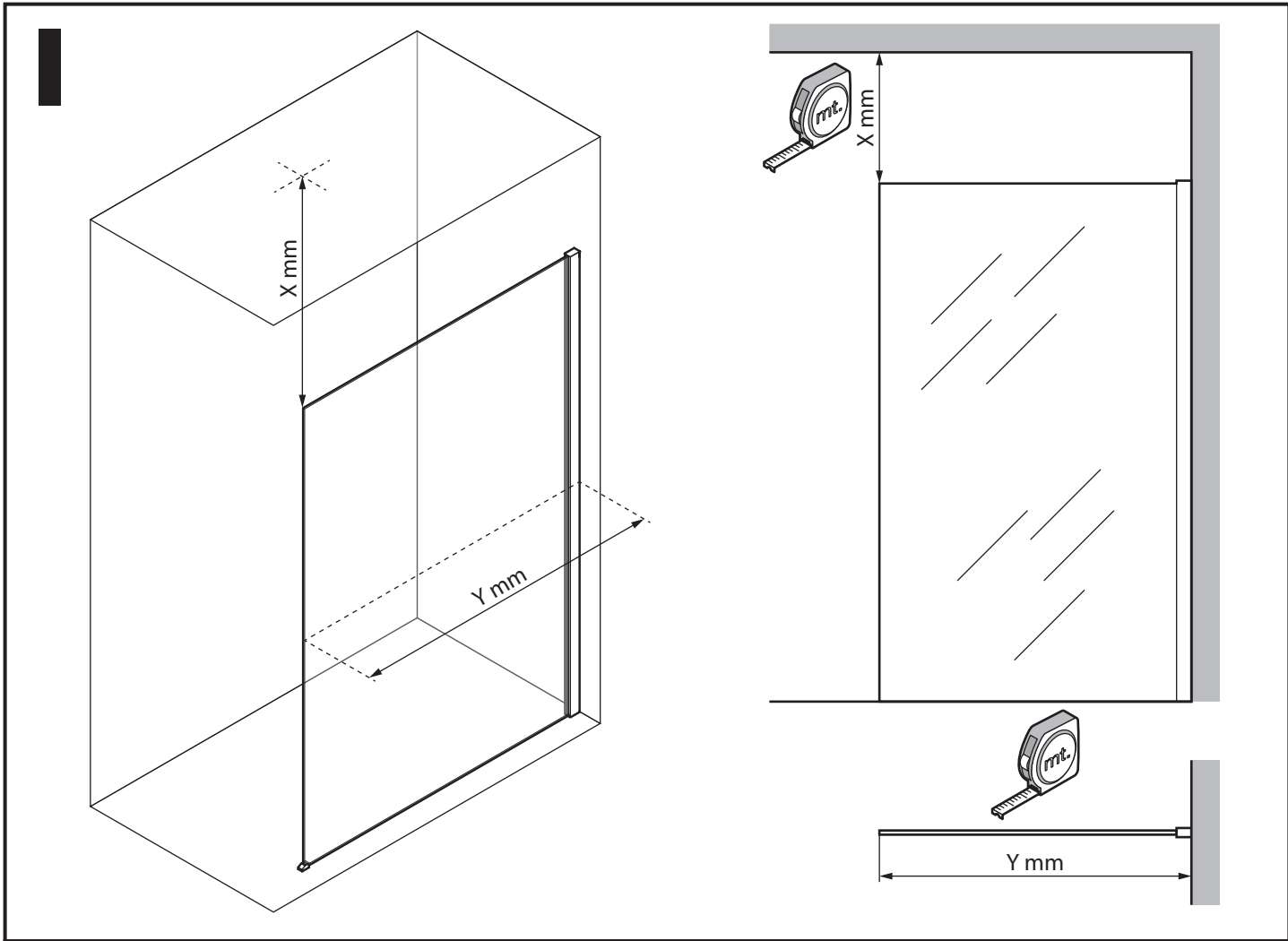


M4x8 x1

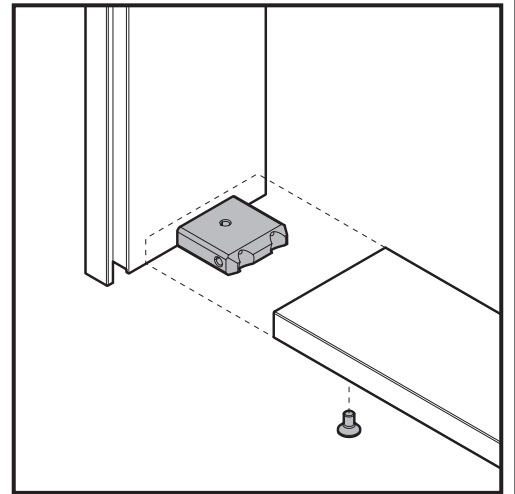
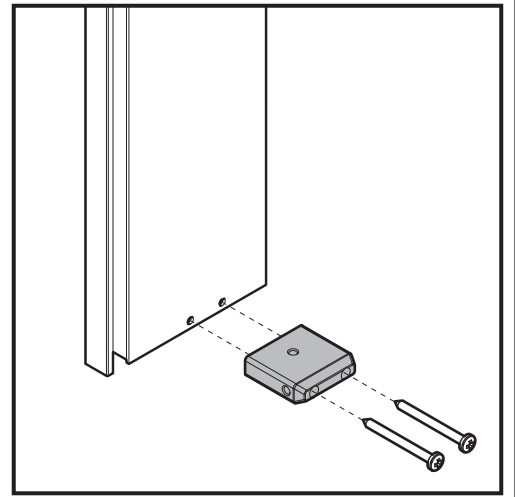
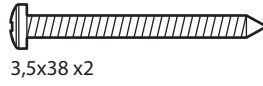
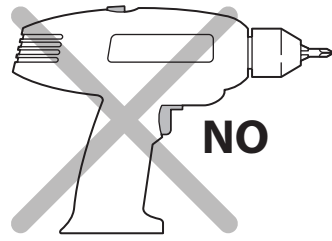
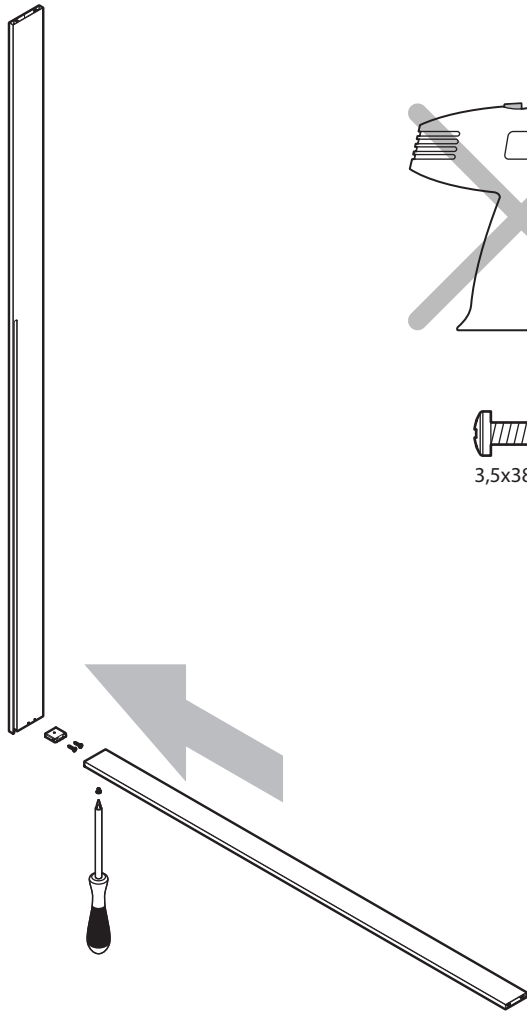


x1

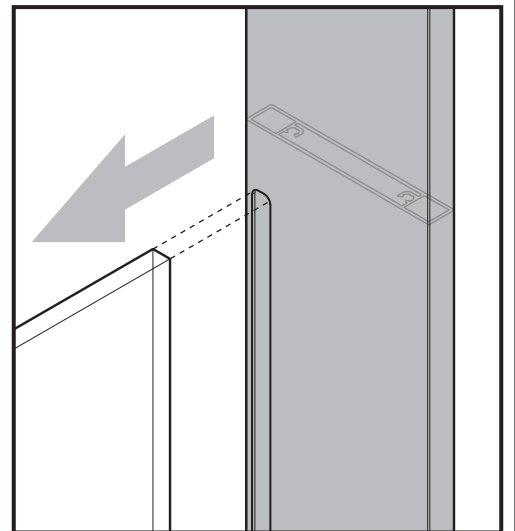
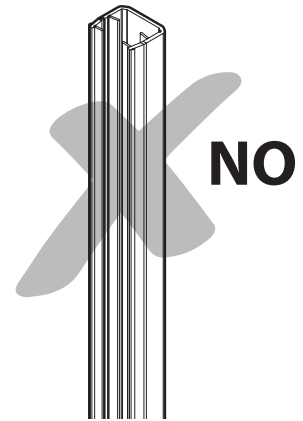
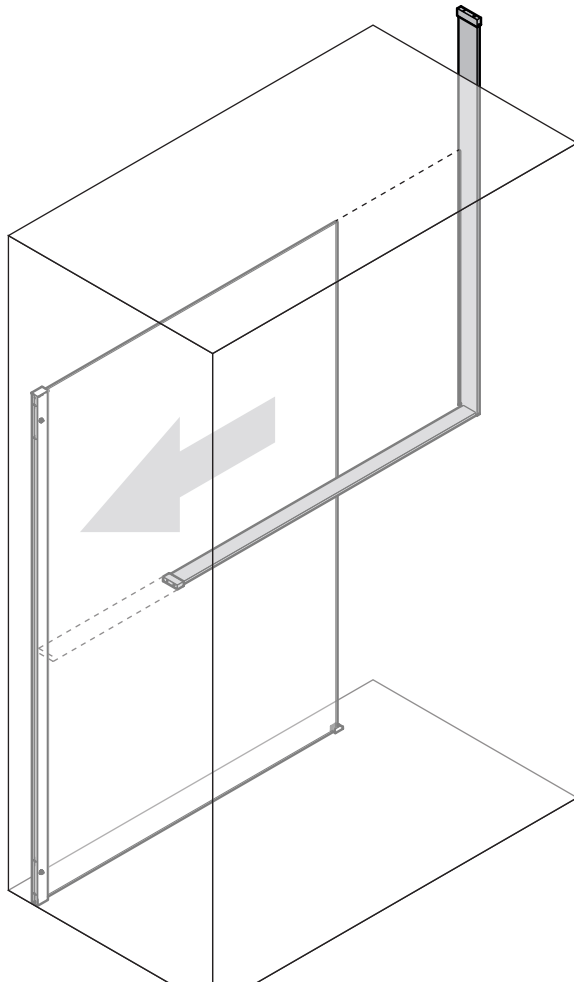




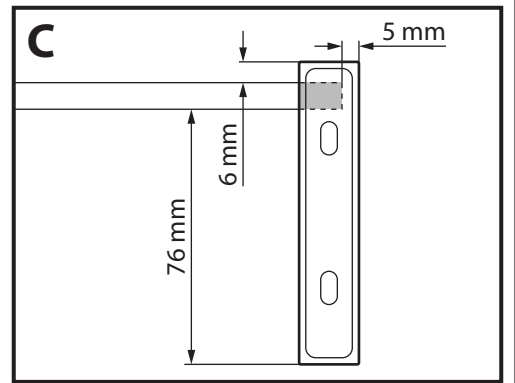
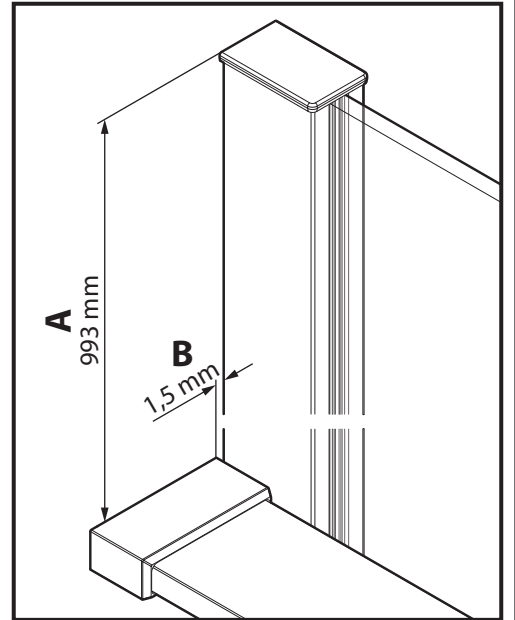
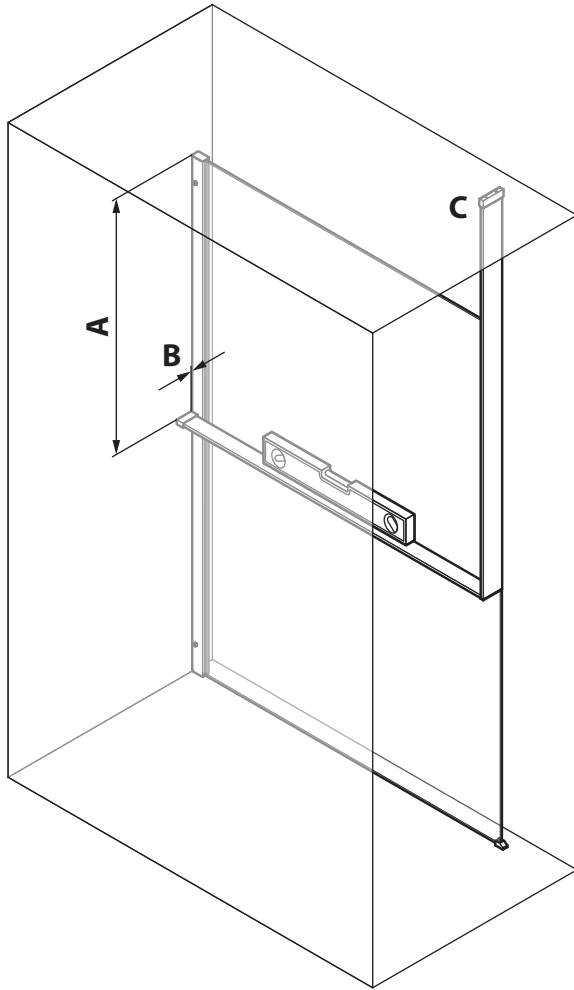
3



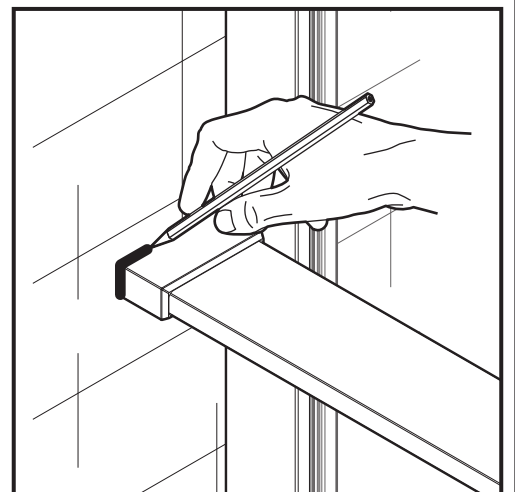
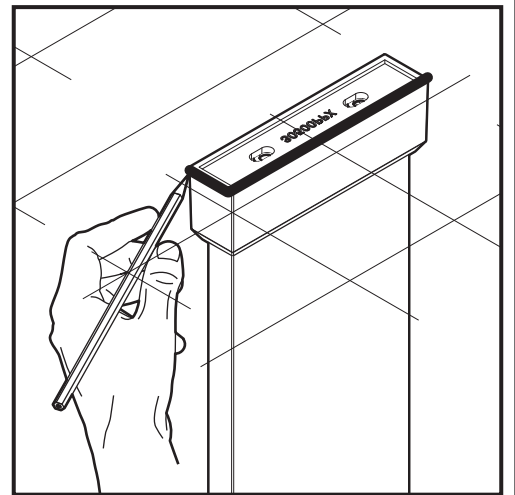
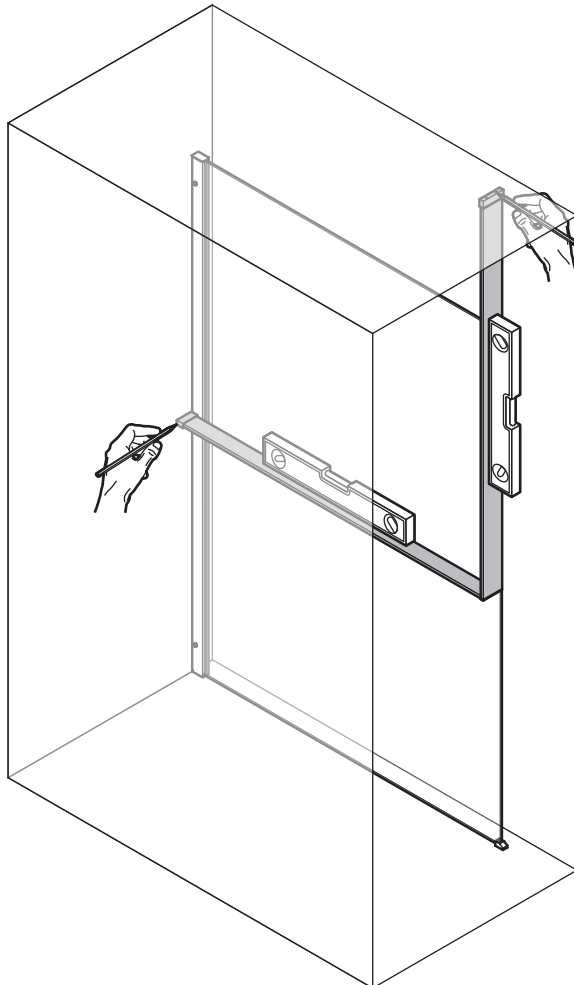
4

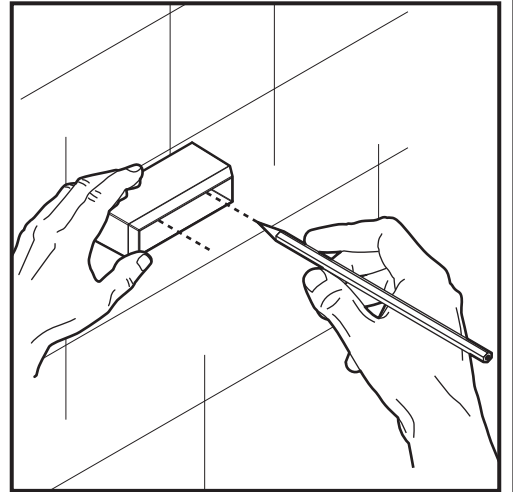
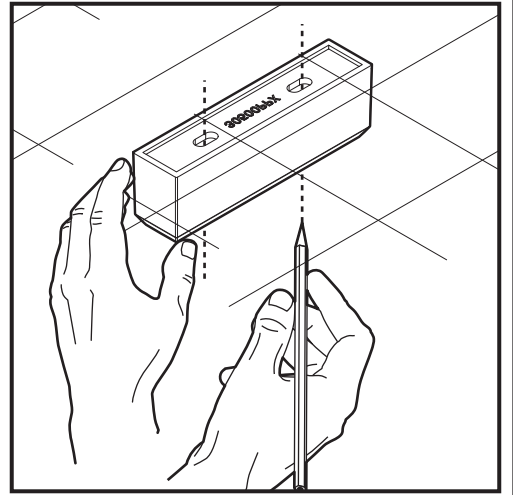
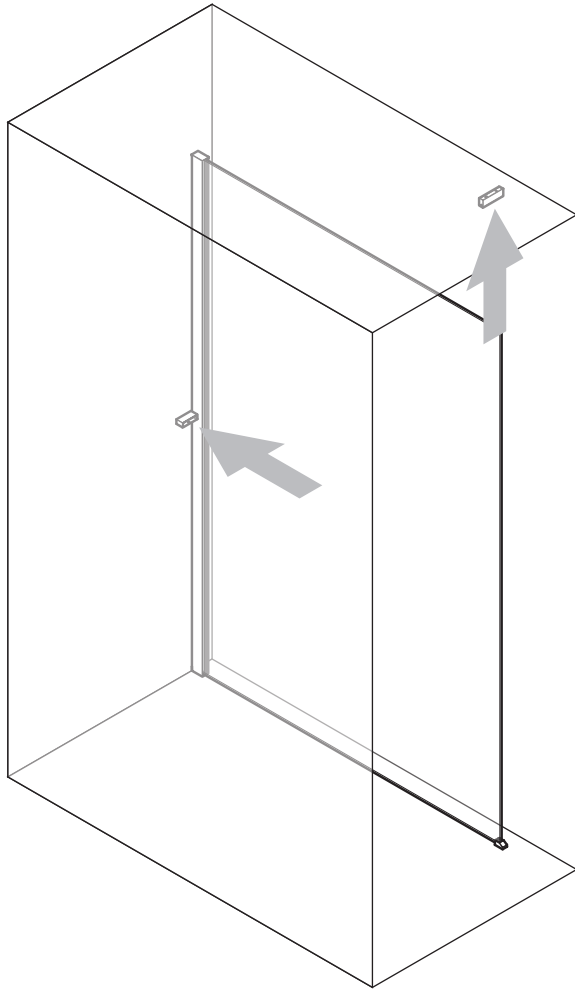
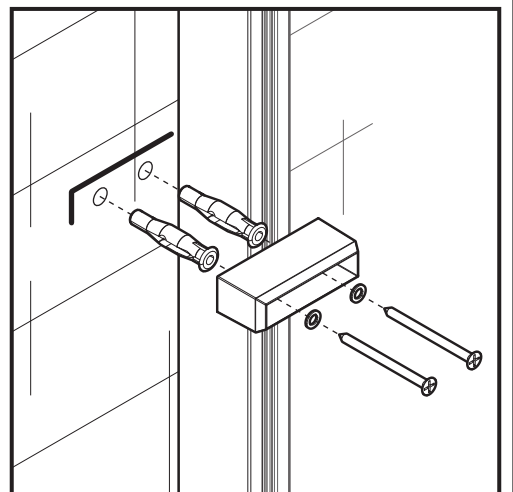
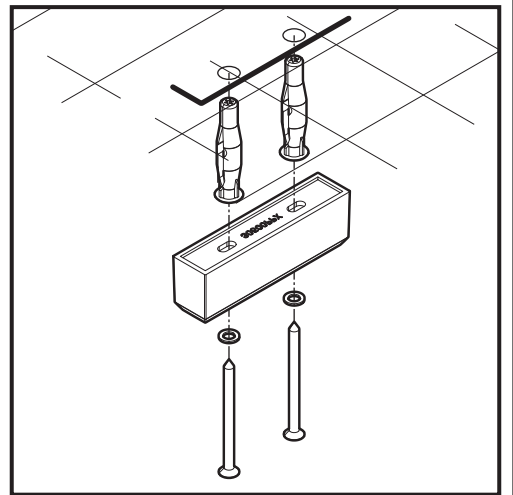
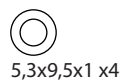
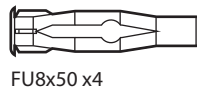
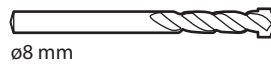
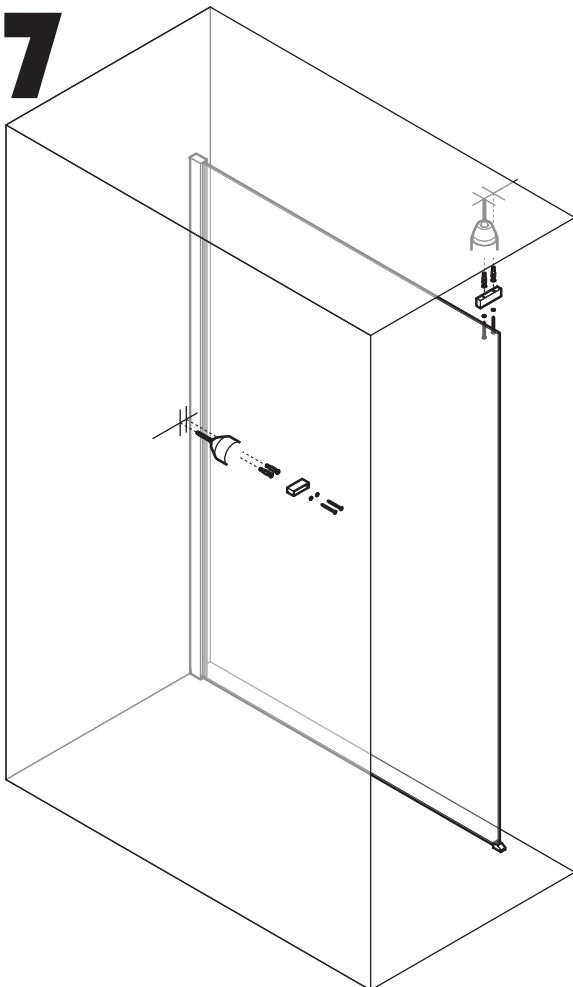


5a

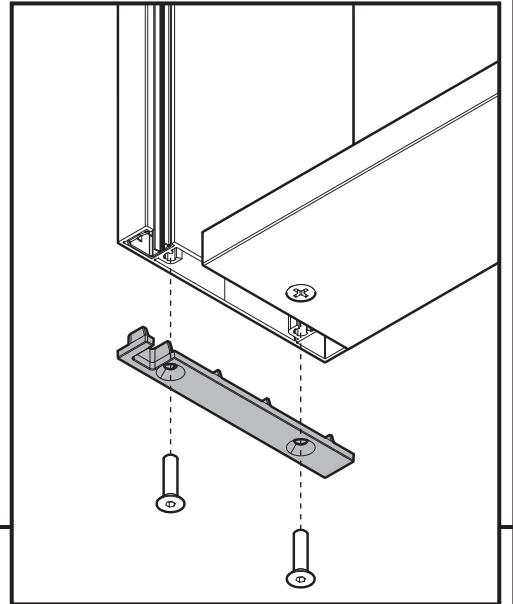
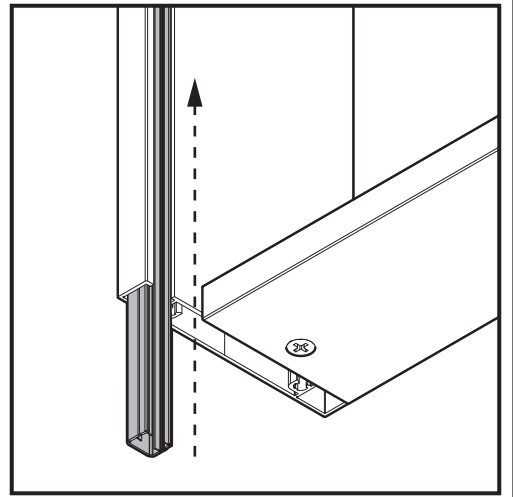
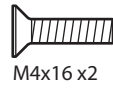
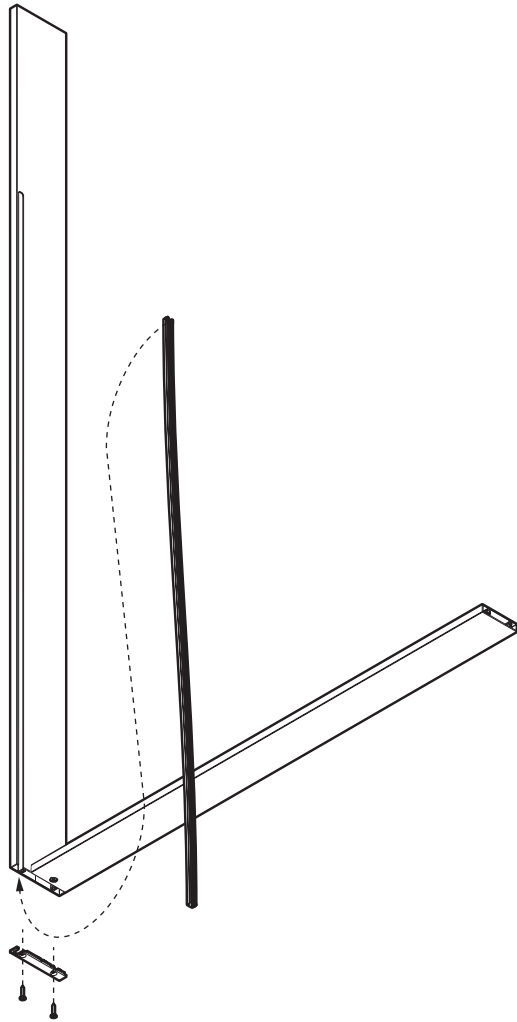


5b



6**7**

8



9

